

## EMU-06(SAIE)



Type: Suit for EMU Pumps

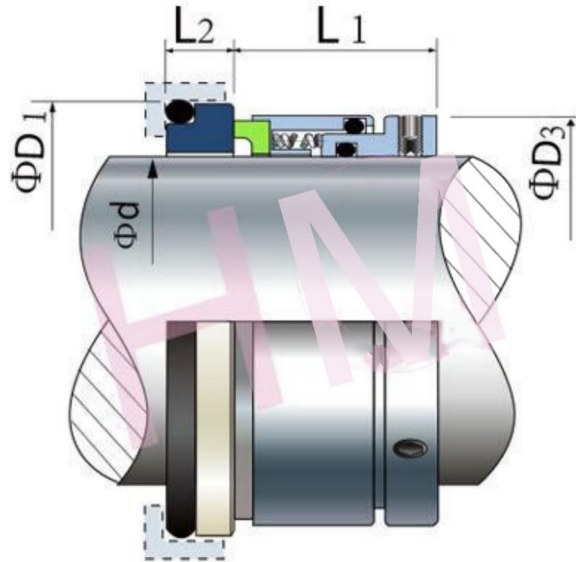
Replacement: AES SAIE

Temperature:  $-40^{\circ}\text{C}$  to  $+200^{\circ}\text{C}$

Pressure :  $\leq 1.2\text{Mpa}$

Speed:  $\leq 20\text{m/s}$

Material : B,A1,Q1,Q2,U2,P,E,N,V,F,G



d (mm)	D1	D3	L1	L2
85.0	109.0	103.2	44.2	14.8
105.0	134.3	129.0	36.5	14.8

