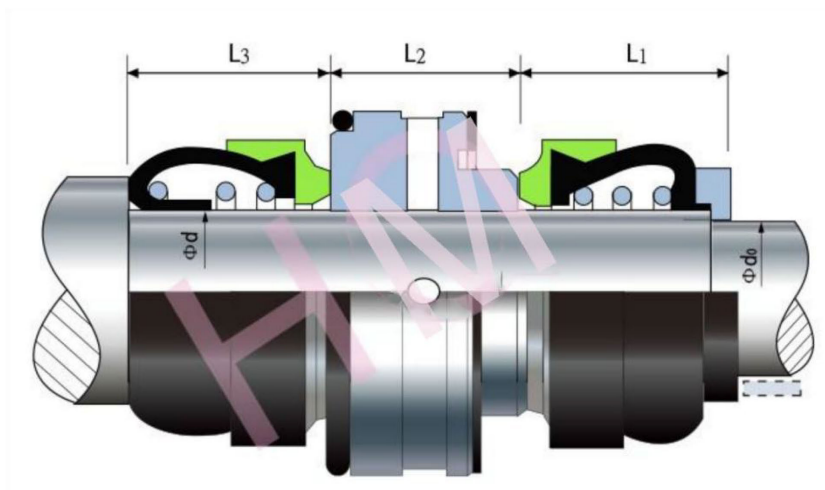


HMFR-07(T01F)



Type: Suit for FRISTAM Pumps
 Replacement: AES T01F
 Temperature: -20°C to $+180^{\circ}\text{C}$
 Pressure: $\leq 1.0\text{Mpa}$
 Speed: $\leq 15\text{m/s}$
 Material : B,A1,Q1,Q2,U2,P,E,N,V,F,G



d (mm)	d0	D	L1	L2	L3
22	18	50	22	22.5	20