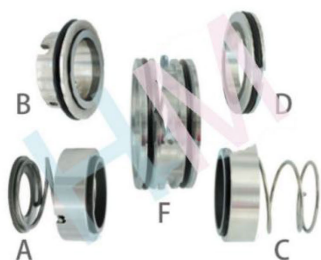
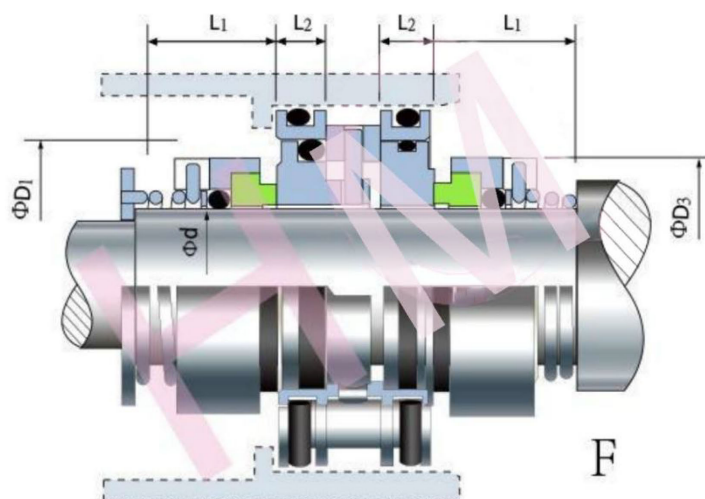


HMFR-6(W-3X01/2)



Type: Suit for FRISTAM Pumps
 Replacement : AES T01F(30mm,35mm)
 Temperature: -20°C to +180°C
 Pressure : $\leq 1.0\text{Mpa}$
 Speed: $\leq 15\text{m/s}$
 Material : B,A1,Q1,Q2,U2,P,E,N,V,F,G,Alfa



d (mm)	D1	D3	L1	L2
30	48	43.8	22	7.6
35	55.5	48.9	26	8.6