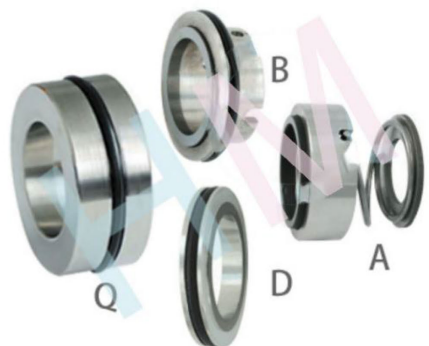
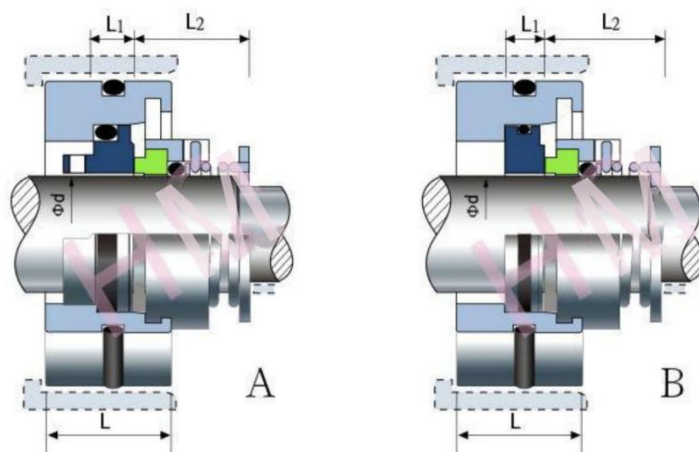


HMFR-4(W2201/3)



Type: Suit for FRISTAM Pumps
 Replacement: AES T01F(22mm)
 Temperature: -20°C to +180°C
 Pressure: $\leq 1.0\text{Mpa}$
 Speed: $\leq 15\text{m/s}$
 Material: B,A1,Q1,Q2,U2,P,E,N,V,F,G



d (mm)	L	L1	L2
22	24	7.5	20