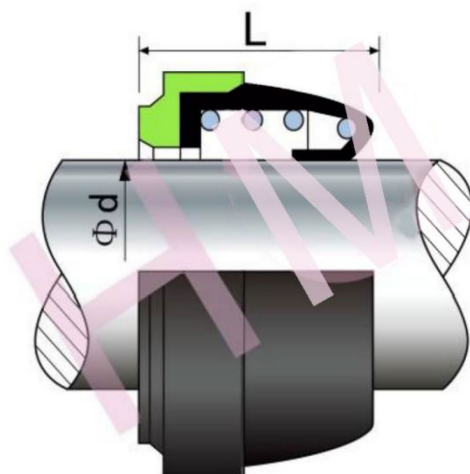


HMFR- 11(T01F)



Type: Used for Food, Beverage
and Dairy in dustries
Replacement: Vulcan 2209/1, Billi BB14A
Temperature: -20°C to +180°C
Pressure: $\leq 1.0\text{Mpa}$
Speed: $\leq 15\text{m/s}$
Material: B, E, F, G



d (mm)	L	Pump type
22	20	FP/FL/FT
30	22	