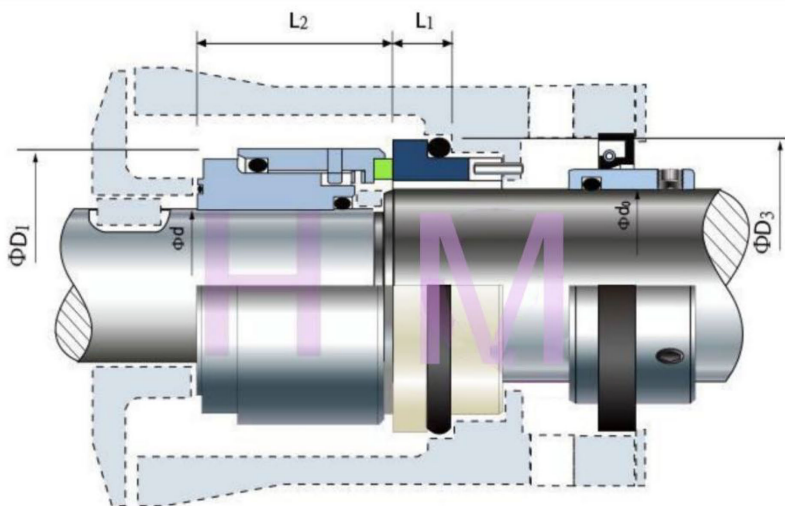


# HMFR-14(WOFA)



Type: Suit for FRISTAM FM,FPH,FPH Pumps  
 Replacement: AES WOFA,Billi BB14-8  
 Temperature: -40°C to +250°C  
 Pressure :  $\leq 2.5\text{Mpa}$   
 Speed:  $\leq 15\text{m/s}$   
 Material : B,A1,Q1,Q2,U2,P,E,N,V,F,G



d (mm)	d0	D1	D3	L1	L2
32	43	59	61	14	40