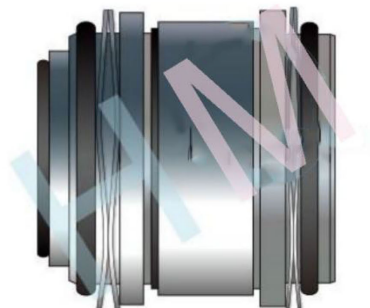
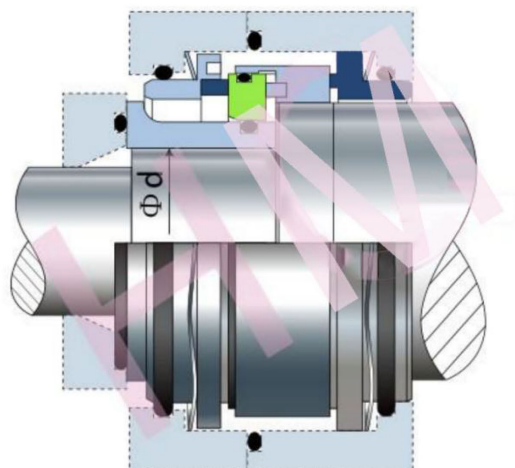


HMFR-8(WOF)



Type: Fristam Pump Seals
Replacement: AES WOF
Temperature: -20 to +180°C
Pressure: $\leq 1.4\text{Mpa}$
Speed: $\leq 10\text{m/s}$
Material: B,Q2,U2,P,E,N,V,F,G,Alfa



d=25mm,30mm,40mm,52mm,0.984",1.181",1.575",2.047".