

HMFR-13(T01F)



Type: Used for Food, Beverage
and Dairy in dustries

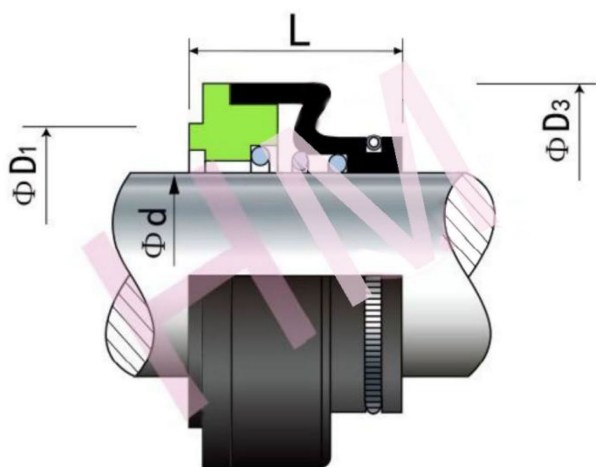
Replacement: Vulcan 2209/3, Billi BB14C

Temperature: -20°C to +180°C

Pressure : ≤ 1.0 Mpa

Speed: ≤ 15 m/s

Material : B, E, F, G



d (mm)	D1	D3	L	pump type
6	13.0	18.0	10	FP/ FL/ FT
10	19.0	24.0	16	
12	21.0	26.0	16	
14	23.0	28.0	16	
15	24.0	30.0	16	
16	26.0	33.0	18	
18	28.5	36.0	18	
20	31.0	38.0	18	
22	33.0	40.0	20	
24	35.5	43.0	20	
25	36.0	44.0	20	
28	39.5	47.0	22	
30	43.0	50.0	22	
32	45.5	53.0	26	
35	48.0	56.5	26	
38	52.0	59.0	26	
40	54.0	61.0	26	
45	61.0	73.0	26	
50	67.0	78.0	26	
65	84.0	95.0	30	
70	90.0	100.0	30	