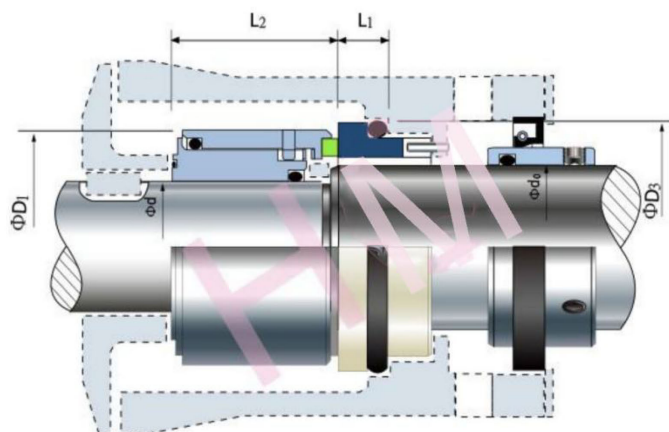


HMFR-15(WOFC)



Type: Suit for FRISTAM FM 312,322,342 Pumps
 Replacement: AES WOFC
 Temperature : -40°C to +250°C
 Pressure : ≤ 2.5 Mpa
 Speed: ≤ 15 m/s
 Material: B,A1,Q1,Q2,U2,P,E,N,V,F,G



d (mm)	d0	D1	D3	L1	L2
35	43	59	61	14	30