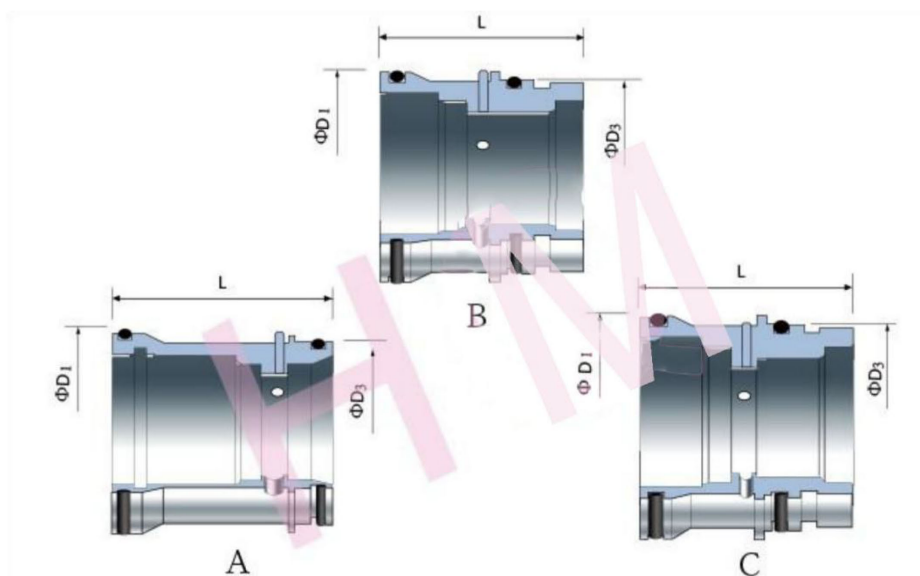


HMFR- 10(T01F)



Type: Suit for FRISTAM Pumps
 Replacement: AES T01F
 Temperature: -20°C to +180°C
 Pressure : $\leq 1.0\text{Mpa}$
 Speed: $\leq 15\text{m/s}$
 Material: F,G,P,E,V



Type	D1	D3	L
A	60	54	64.0
B	59	54	55.4
C	59	54	55.4