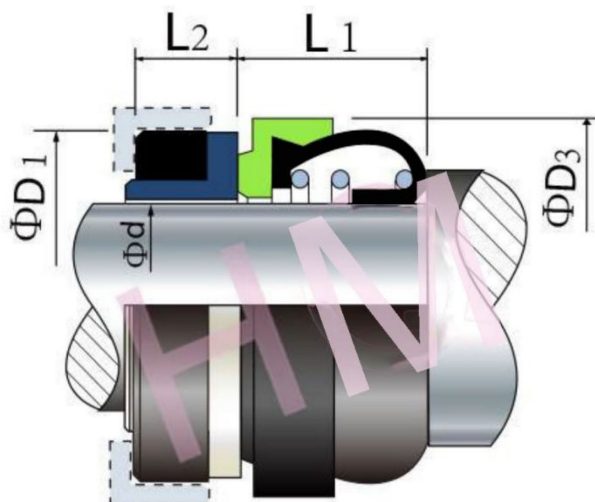


# HMFR-20(BOH)



Type: Suit for FRISTAM Pumps  
 Replacement: AES BOH, Crane 6J  
 Temperature:  $-20^{\circ}\text{C}$  to  $+200^{\circ}\text{C}$   
 Pressure :  $\leq 2.5\text{Mpa}$   
 Speed:  $\leq 20\text{m/s}$   
 Material : B,A,P,E,N,V



d (inch)	D1	D3	L1	L2
22.2	40.5	44.5	16	10.5