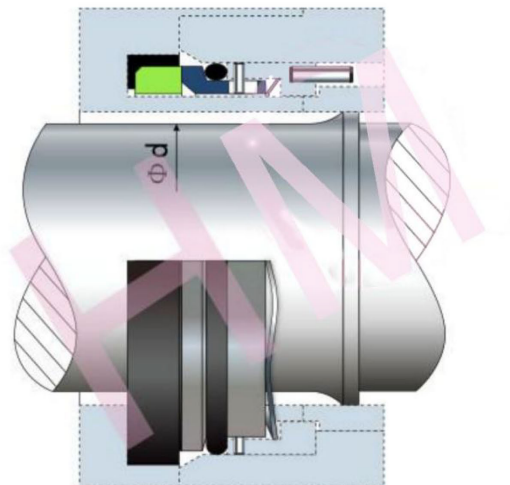


## HMFR-27(WOFD)



Type: Fristam Pump Seals  
Replacement: AES WOFD  
Temperature: -20 to +120°C  
Pressure:  $\leq 1.4$  Mpa  
Speed:  $\leq 10$  m/s  
Material: B, Q2, U2, P, E, N, V, F, G, Alfa



d=52mm, 2.047 "