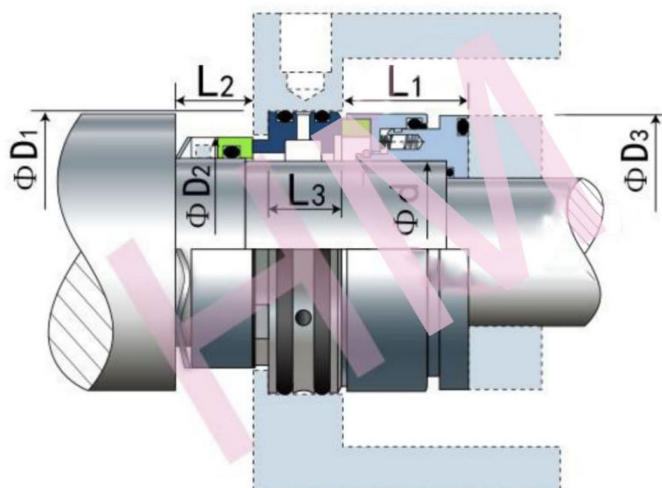


HMFR-18(MOFC)



Type: Suit for Fristam FPR Pumps
 Replacement: AES MOFC
 Temperature : -20°C to +140°C
 Pressure : ≤ 2.1 Mpa
 Speed: ≤ 10 m/s
 Material : A,G,Y



d (mm)	D1	D3	L1	L2	L3
37.5	47	56.5	26	15.6	15.2
d (inch)	D1	D3	L1	L2	L3
1.476	1.85	2.224	1.024	0.616	0.600