

HMFR-29(W025)

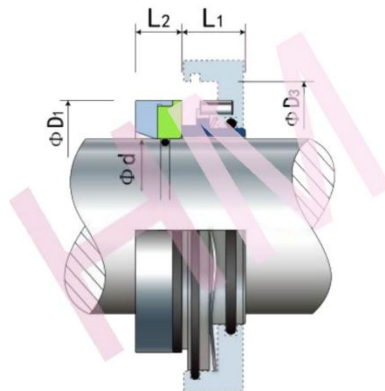
Single Seal

Type: Suit for FRISTAM FKL50 Pumps
 Replacement: AES W025 Double/Single Seal
 Temperature: -20°C to +180°C

Pressure : ≤ 15.0 Mpa

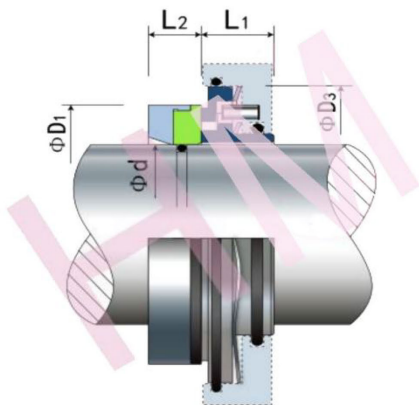
Speed : ≤ 5 m/s

Material : B, A1, Q1, Q2, U2, P, E, N, V, F, G, Alfa



d (mm)	D1	D3	L1	L2
48	69	64	18	12.7
d (inch)	D1	D3	L1	L2
1.890	2.717	2.520	0.709	0.500

Double Seal



d (mm)	D1	D3	L1	L2
48	69	78	18	12.7
d (inch)	D1	D3	L1	L2
1.890	2.717	3.071	0.709	0.500