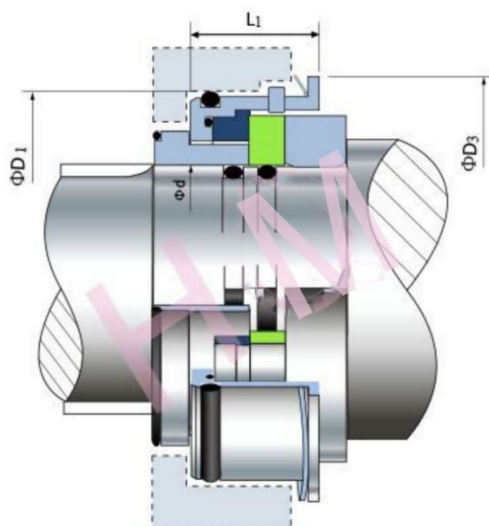


HMFR-18(MOFBC)



Type: Suit for FRISTAM FLF55
and FLFN 55 Pumps
Replacement: AES WOFBC, Billi BB14-FL
Temperature: -40°C to +250°C
Pressure : ≤ 2.5 Mpa
Speed: ≤ 15 m/s
Material : B, A1, Q1, Q2, U2, P, E, N, V, F, G



d (mm)	Size Code	O.E.M PUMP Model
20	0200	FL55, FLF55
31	0300	FL75, FLF75
38	0380	FL100, FLF100