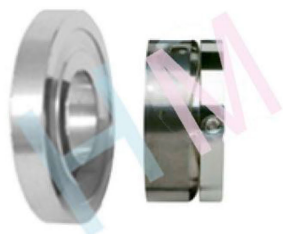
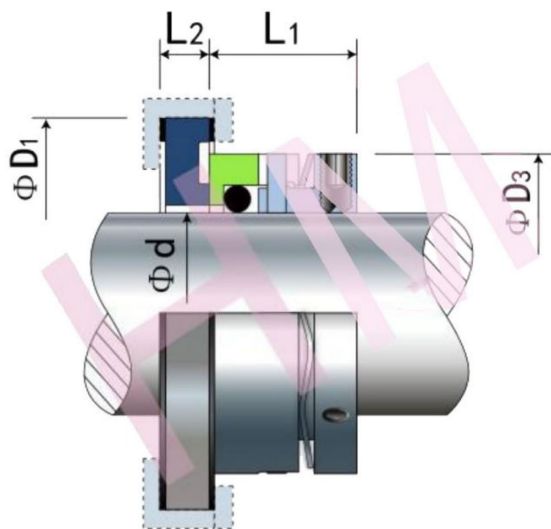


# HMFR-28(W01FU)



Type: Suit for FRISTAM Pumps  
 Replacement: AES W01 FU  
 Temperature : -20°C to +200°C  
 Pressure :  $\leq 2.5$  Mpa  
 Speed:  $\leq 10$  m/s  
 Material : B,A1,Q1,Q2,U2,P,E,N,V,F,G,Alfa



d (mm)	D1	D3	L1	L2
22	45	33.0	19.1	8
38	62	51.8	21.1	8
d (inch)	D1	D3	L1	L2
0.866	1.771	1.300	0.750	0.315
1.496	2.441	2.039	0.831	0.315