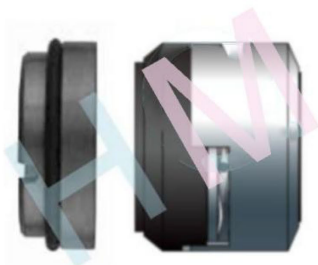
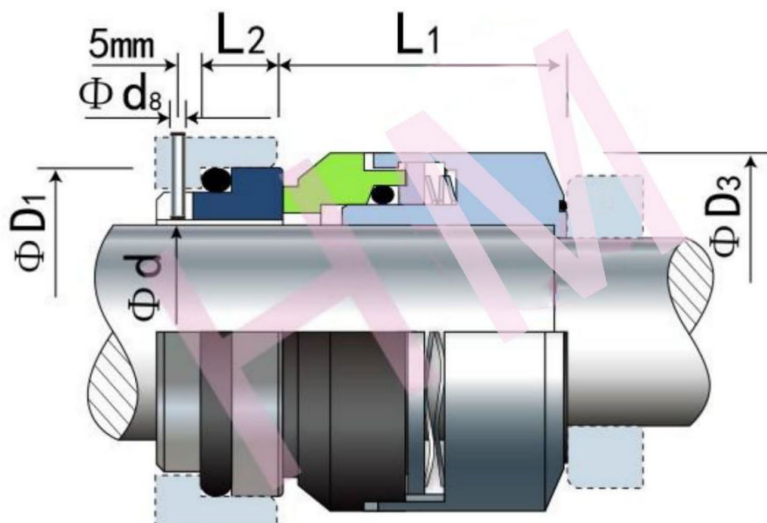


HMFR-26(W07DMBFU)



Type: Suit for FRISTAM FPH Pumps
 Replacement: AES W07DMBFU
 Temperature: -40 to +200°C
 Pressure : $\leq 2.0\text{Mpa}$
 Speed: $\leq 15\text{m/s}$
 Material : B, A1, Q1, Q2, U2, P, E, N, V, F, G, Alfa



d (mm)	D1	D3	L1	L2
35	50	56	44.5	11.5
d (inch)	D1	D3	L1	L2
1.378	1.969	2.205	1.752	0.453