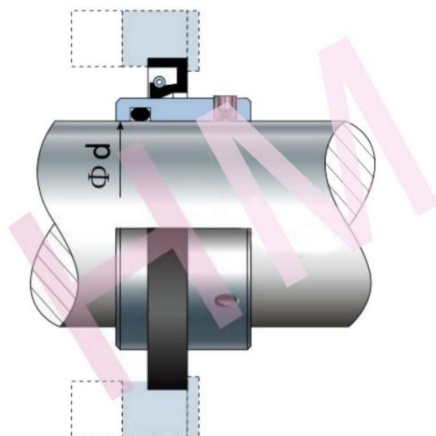


HMFR-31-2(1696.E.N/A)



- Type: Suit for Fristam Multi-Stage Pumps, to be used with 1676 for Flushed configuration
- Replacement: Vulcan 1696, AES T01FSLV
- Temperature: -30°C to $+150^{\circ}\text{C}$
- Pressure : $\leq 2.5\text{Mpa}$
- Speed: $\leq 5\text{m/s}$
- Material : Q1,Q2,U2,T,V,M1,F,G,M



d=18mm,32mm,35mm,22mm,38mm.

Used with 1676 or 1696 for flushed configuration.