

HMFR-23(W-XX02)



Type : Suit for Fristam FLII series Lobe Rotor

Pumps

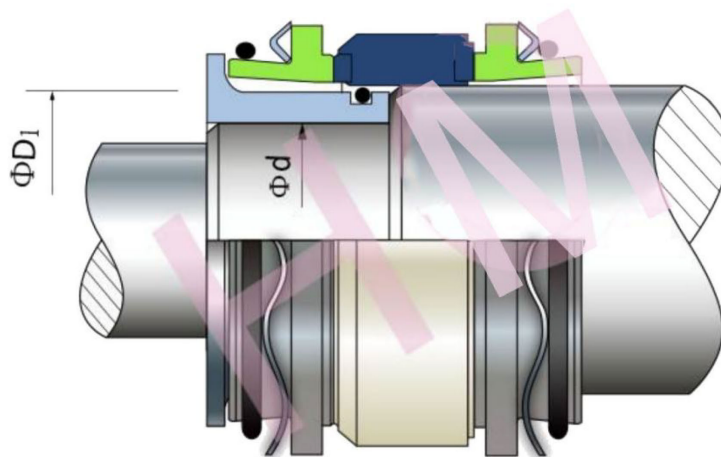
Replacement: Vulcan W-XX02, Billi BB14-FLII

Temperature: -20°C to +140°C

Pressure: ≤ 3.0 Mpa

Speed: ≤ 5 m/s

Material: B, A1, Q1, Q2, U2, P, E, N, V, F, G



Sleeve O.D. D1	Size Code d	O. E. M PUMP Model
28	0200	FLII 55
38	0300	FLII 75
50	0400	FLII 100
62	0520	FLII 130