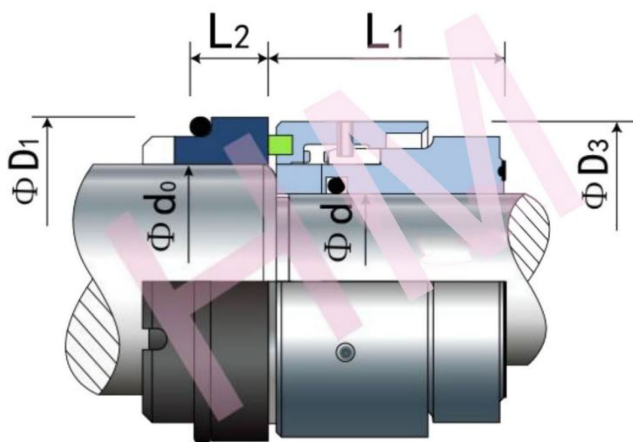


# HMFR-30(1676)



Type : Suit for Fristam Multi-stage  
FM,FPE,FPH,FPH Pumps  
Replacement: Vulcan 1676  
Temperature: -30 to +150°C  
Pressure:  $\leq 2.5$ Mpa  
Speed:  $\leq 5$ m/s  
Material: B,A1,Q1,Q2,U2,P,E,N,V,F,G,Alfa



d (mm)	Size Code	d0	D1	D3	L1	L1
18	0220	22	37	36	32.5	9
32	0430	43	61	59	40.0	14
35	0350	43	61	59	30.0	14