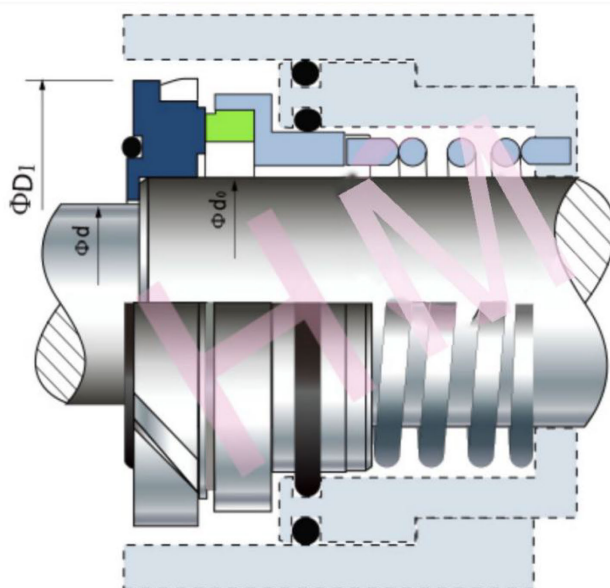


HMTH-02(P09S)



Type: Suit for Tuchenhagen VPB,VPC,VPD
Pumps
Replacement: AES P09S, Vulcan B94,Burgmann MR,
Latty TN2, Lidering ZB
Temperature: -20°C to +200°C
Pressure: ≤ 2.5 Mpa
Speed: ≤ 20 m/s
Material: B,A1,Q1,Q2,U2,P,E,N,V,F,G



d (mm)	d ₀	D ₁
18	22.0	52.0
22	30.0	66.0
30	35.0	66.0