

HMGR-Z

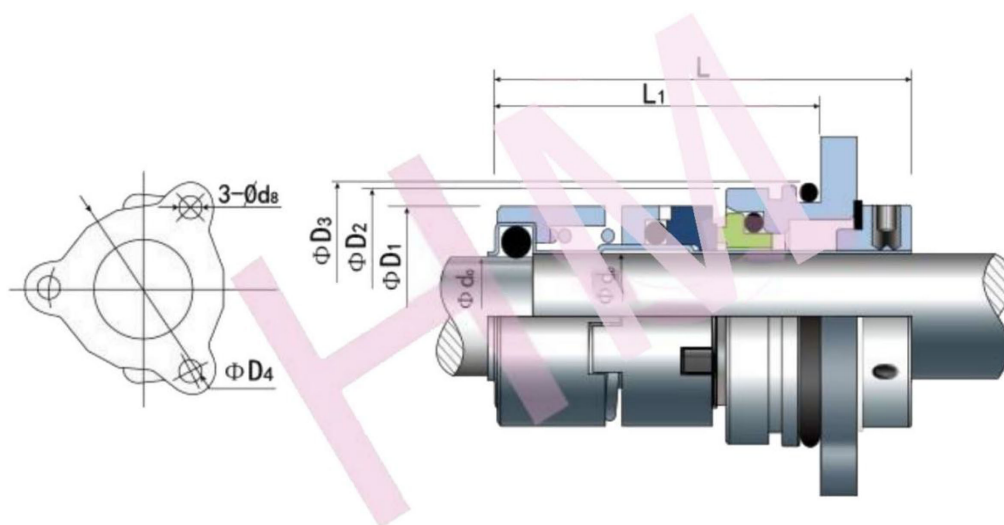


Type: Grundfos Pump Seal
Temperature: -30°C to $+180^{\circ}\text{C}$

Pressure: $\leq 1.0\text{Mpa}$

Speed: $\leq 10\text{m/s}$

Material : Q1,Q2,A,B,U1,U2,P,E,V,
T,F,G,T2,M5



$d=12\text{mm}, 16\text{mm}, 43\text{mm}, 48\text{mm}.$

Suitable for use in Grundfos pumps: CR1, CR3, CR5, CR10, CR15, CR20, CR32, CR45, CR64, CR90 water pumps, O-ring assembly type CRN1, CRN3, CRN5, CRN10, CRN15, CRN20, CRN32, CRN