

HMGR-Z1-2



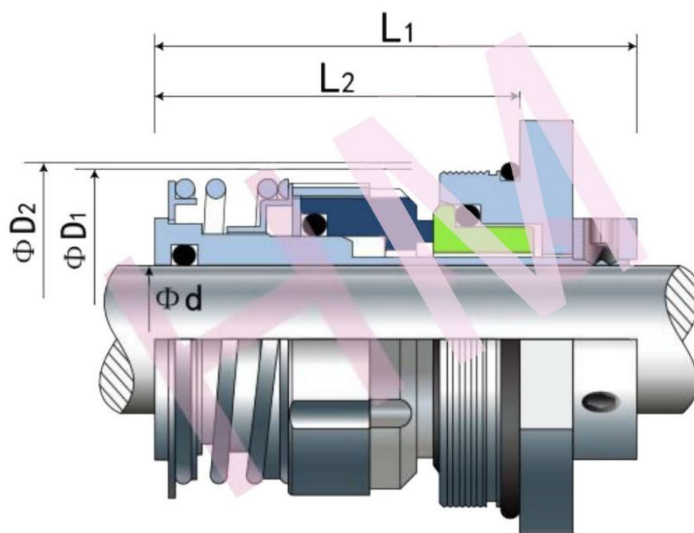
Type: Suit for Grundfos CR,CRI , CRN1 , 3 , 5,CR , CRI,
CRN10 , 15 , 20,CR, CRN32 , 45 , 64 , 90,CR,
CRN120 , 150
Pumps

Temperature: - 20 to +120°C

Pressure : ≤ 2.5 Mpa

Speed: ≤ 25 m/s

Material: Q1,Q2,V,K,E,P,G,M5,M6,T4



d (mm)	D1	D2	L1	L2
12	M28X1.5	29.8	57	44.5
16	M33X1.5	34.8	58	46.0