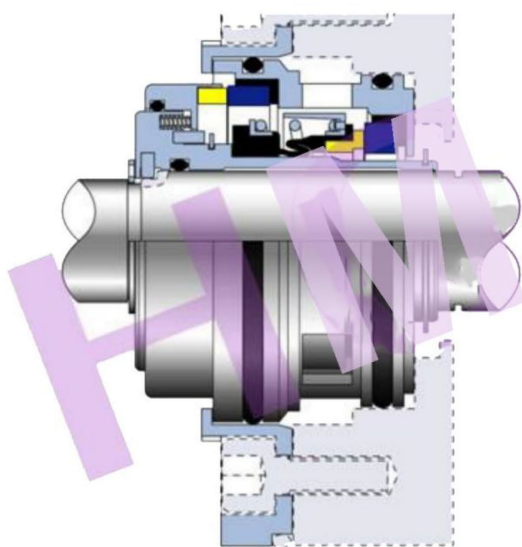


HMLT Series



Type: Flygt Pump Seals
Replacement: AES T05 VC



HM Seal Code	Size	Material	Fits Flygt Pumps/ Mixers
HMLT20	20mm	TC/TC-TC/CER/V	2610 , 2620 , 2630 , 2640 , 4610 & 4620
HMLT25	25mm	TC/TC-TC/CER/V	4630 & 4640
HMLT35	35mm	TC/TC-TC/TC/V	2670 , 3153 , 5100.210 , 5100.211 , 5100.220 & 5100.221
HMLT45	45mm	TC/TC-TC/TC/V	3171 , 4650 , 4660 , 5100.250 , 5100.251 , 5100.260 & 5100.261
HMLT60	60mm	TC/TC-TC/TC/V	3202 , 4670 , 4680 , 5100.300 , 5100.310 , 5150.300 & 5150.310
HMLT90	90mm	TC/TC-TC/TC/V	3301 , 5150.350 & 5150.360