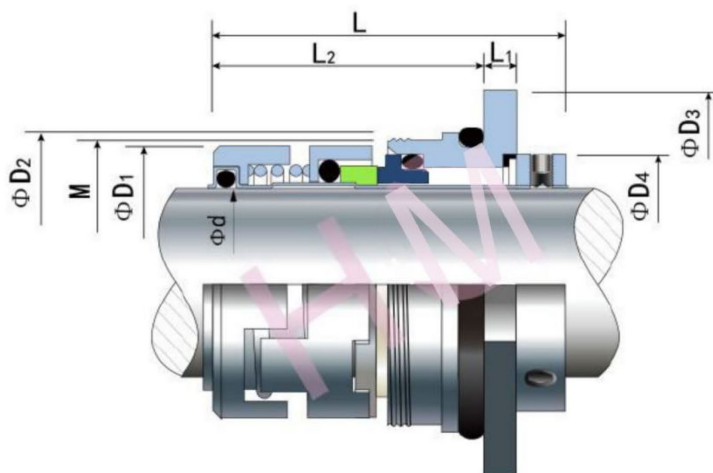


HMGR-Z1



Type: Grundfos Pump Seals
 Replacement: Equivalent with Grundfos type H seals
 Temperature: -30°C to $+200^{\circ}\text{C}$
 Pressure: $\leq 2.5\text{Mpa}$
 Speed: $\leq 25\text{m/s}$
 Material : B,Q2,U2,P,E,V,F,G



d	D1	D2	D3	D4	L	L1	L2	M
12	25	29	33.5	25	55.5	4	44.5	28X1.5
14								
16	30.5	34	40.5	29	58	5	46	33x1.5
18								

Suit for CR1 , CR3 , CR5 , CRN1 , CRN3 , CRN5 , CRI1 , CRI3 , CRI5 , CR32 , CR45 , CR64 , CR90 , CRN32 , CRN45 , CRN64 , CRN90

Series Pumps.