

HMGR-Z-1



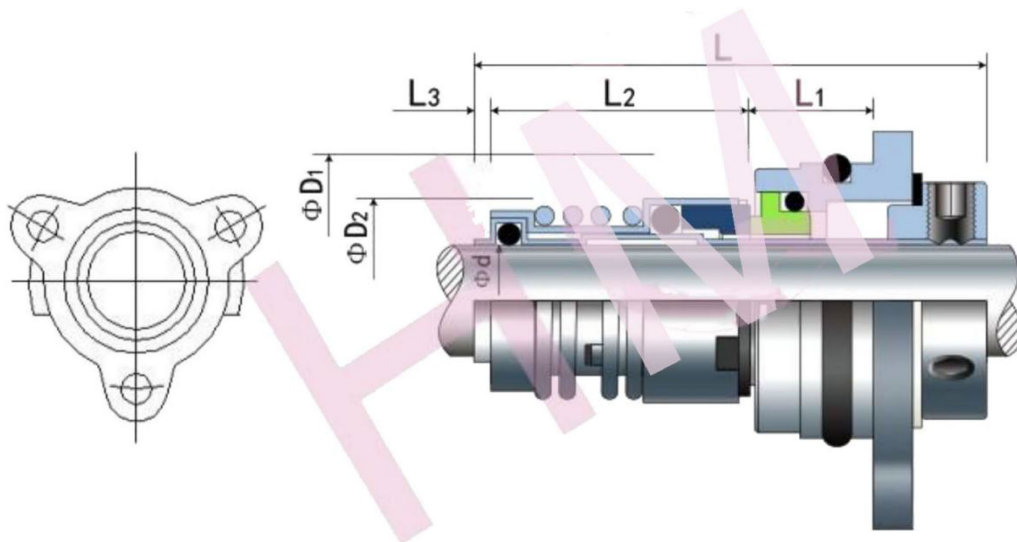
Type: Grundfos Pump Seal

Temperature: -30 to $+150^{\circ}\text{C}$

Pressure : $\leq 1.0\text{Mpa}$

Speed: $\leq 10\text{m/s}$

Material : B,Q2,U2,P,E,N,V,F,G,Alfa



It suits for Grundfos Pumps.

Belongs to GR-Z series.

$d=12\text{mm}, 16\text{mm}, 22\text{mm}.$