

## HMGR-Z1-3

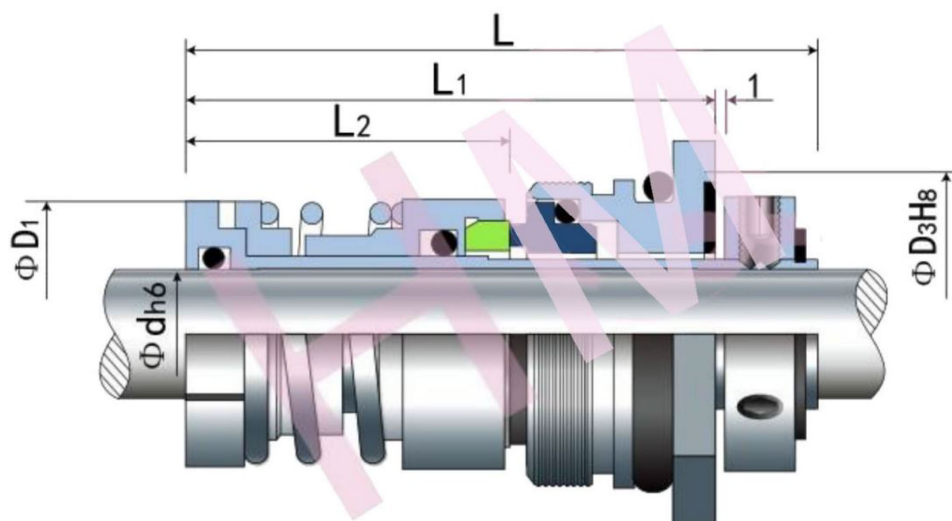


Type: Suit for Grundfos Pumps  
Temperature: -20 to +120°C

Pressure:  $\leq 2.5$  Mpa

Speed:  $\leq 20$  m/s

Material: B, Q2, U2, P, E, N, V, F, G, Alfa



d (mm)	D1	D3	M	L	L1	L2
12	25.0	29.0	M28X1.5	58.5	49.0	30.0
16	30.5	34.0	M33X1.5	60.0	51.0	30.5