

HMGR-Z2



Type: Suit for Grundfos CR1 , CR3 , CR5 ,
 CRN1 , CRN3 , CRN5 , CRI1 , CRI3 ,
 CRI5 Pumps, CR32 , CR45 , CR64 ,
 CR90 Pumps, CRN32 , CRN45 ,
 CRN64 , CRN90 Pumps Replacement :

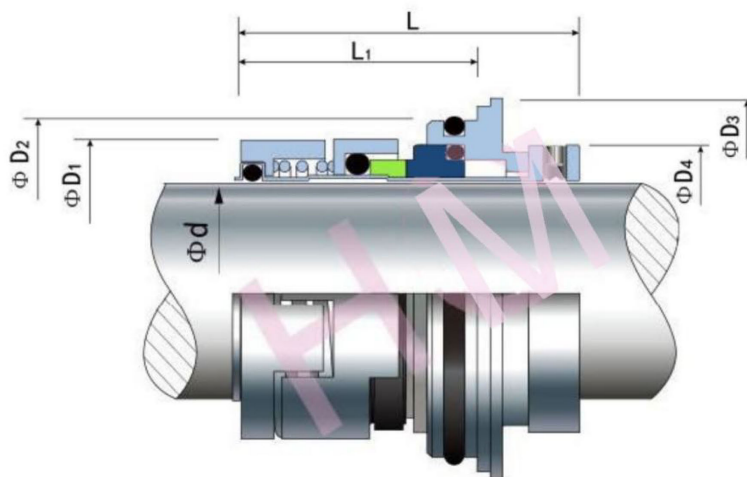
Replacement: Equivalent with Grundfos Type H
 seals/HQQV/HQQE

Temperature: -30°C to +200°C

Pressure: ≤ 2.5 Mpa

Speed: ≤ 25 m/s

Material: B,Q2,U2,P,E,V,F,G



d (mm)	D1	D2	D3	D4	BORE (H8)	L	L1
22	39.5	51.2	60	39	50	70.5	50.5
32							

Suit for CR1 , CR3 , CR5 , CRN1 , CRN3 , CRN5 , CRI1 , CRI3 , CRI5 , CR32 , CR45 , CR64 ,
 CR90 , CRN32 , CRN45 , CRN64 , CRN90
 Series Pumps.