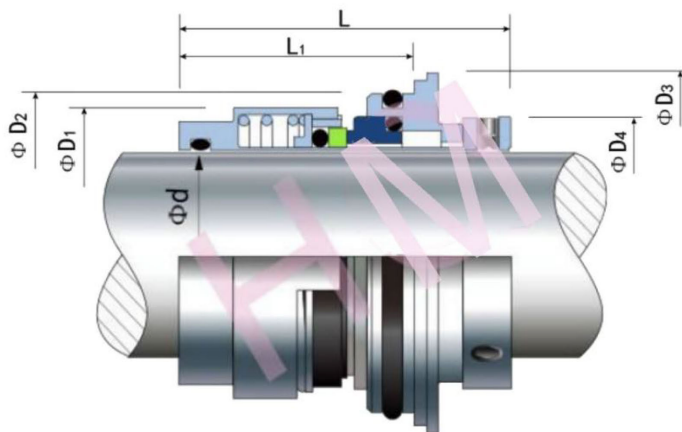


HMGR-Z2-2



Type : Grundfos Pump Seals
 Replacement: Replace Grundfos H type
 Temperature: -30°C to +200°C
 Pressure: ≤ 2.5 Mpa
 Speed: ≤ 25 m/s
 Material : B,Q2,U2,P,E,V,F,G



d (mm)	D1	D2	D3	D4	BORE (H8)	L	L1
22	39.5	51.2	60	39	50	70.5	50.5

Suit for CR1 , CR3 , CR5 , CRN1 , CRN3 , CRN5 , CRI1 , CRI3 , CRI5 , CR32 , CR45 , CR64 , CR90 , CRN32 , CRN45 , CRN64 , CRN90 Series Pumps.