

HMGR-Z2-3



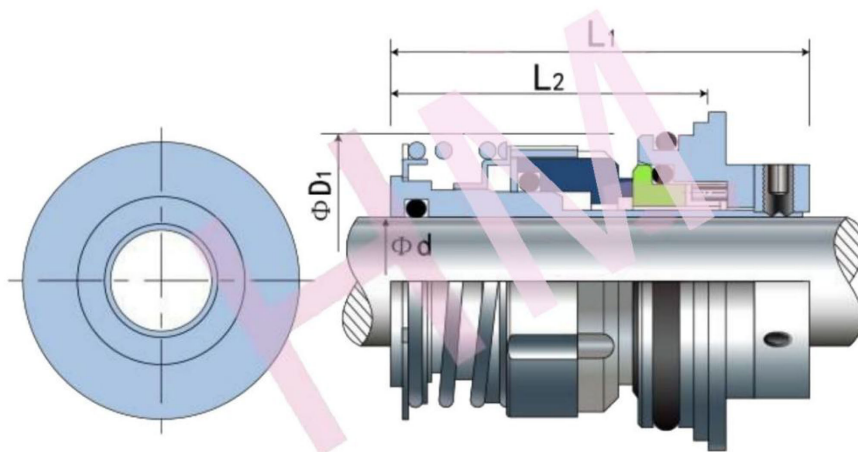
Type : Grundfos Pump Seal

Temperature: -30 to +180°C

Pressure: $\leq 2.5\text{Mpa}$

Speed: $\leq 25\text{m/s}$

Material : B,A1,Q1,Q2,U2,P,E,N,V,F,G,Alfa



d=22mm