

HMGR-Z2-4



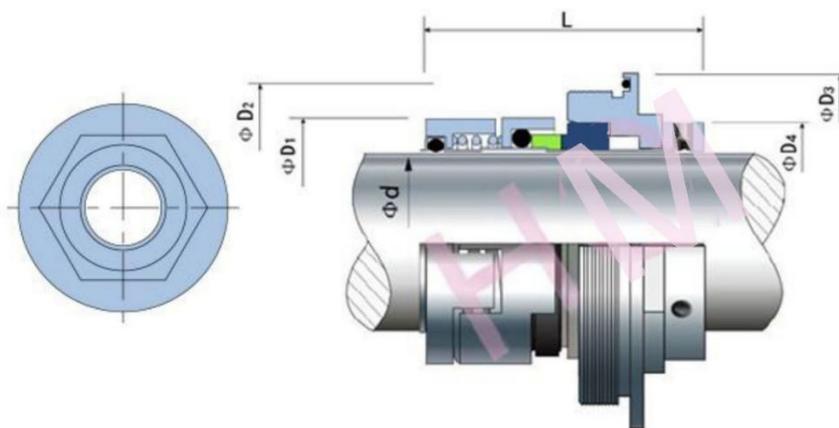
Type : Grundfos Pump Seal

Temperature: -30 to +180°C

Pressure : ≤ 2.5 Mpa

Speed: ≤ 25 m/s

Material : B,Q2,U2,P,E,N,V,F,G,Alfa



d=22mm