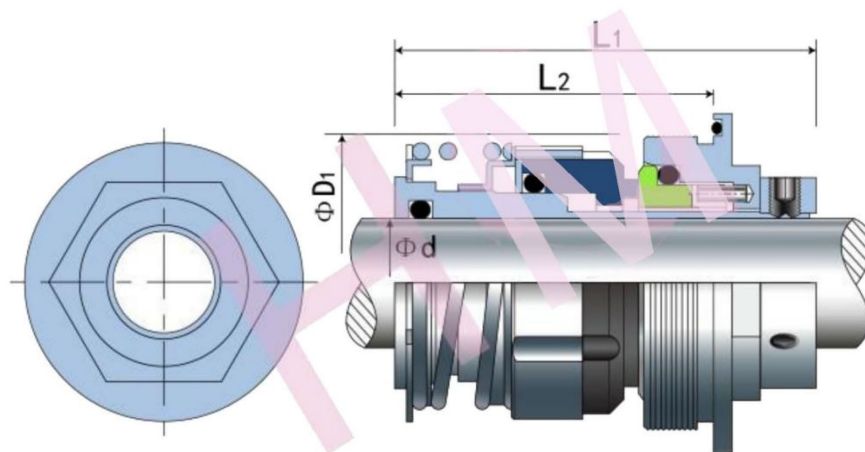


# HMGR-Z2-5



Type : Grundfos Pump Seal  
Temperature: -30 to +180°C  
Pressure :  $\leq 2.5\text{Mpa}$   
Speed:  $\leq 25\text{m/s}$   
Material : B,Q2,U2,P,E,N,V,F,G,Alfa



d=22mm