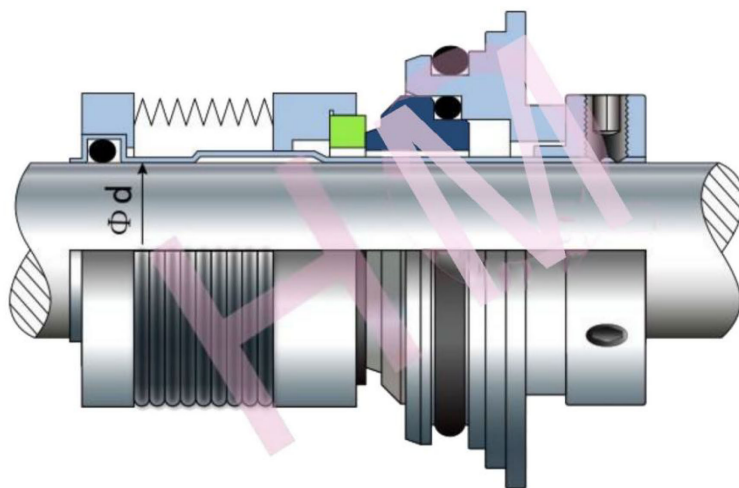


HMGR-Z3



- Type: Grundfos Pump Seal
Replacement: Equivalent with Grundfos K type seal
Temperature: -20 to $+120^{\circ}\text{C}$
Pressure: $\leq 2.8\text{Mpa}$
Speed: $\leq 25\text{m/s}$
Material: A,B,U1,U2,Q1,Q2,F,V,G,K,T,M5



$d=22\text{mm}$