

HMGR-Z4



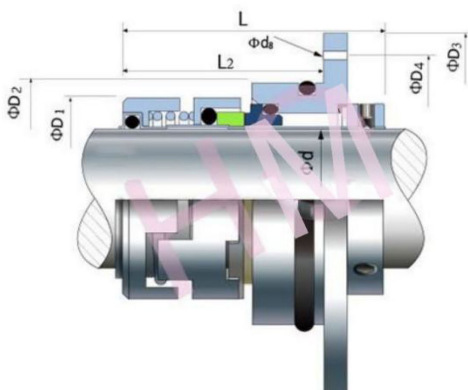
Type: Suit for GRUNDFOS CR, CRN and CRI series pumps

Temperature: -30°C to $+200^{\circ}\text{C}$

Pressure: $\leq 2.5\text{Mpa}$

Speed: $\leq 25\text{m/s}$

Material: B, Q2, U2, P, E, V, F, G



d (mm)	d8	D1	D2	D3	D4	L	L2
12	6.0	25.0	31	58	44	55.5	44.5
16	6.5	30.0	34	65	49	58.0	46.0
22	7.0	39.5	50	90	72	70.5	50.5

HMGR-Z4-0



Type: Grundfos Pump Seal

Temperature: -25 to $+150^{\circ}\text{C}$

Pressure: $\leq 2.5\text{Mpa}$

Speed: $\leq 15\text{m/s}$

Material: B, A1, Q1, Q2, U2, P, E, N, V, F, G, Alfa

d=12mm, 16mm, 22mm.