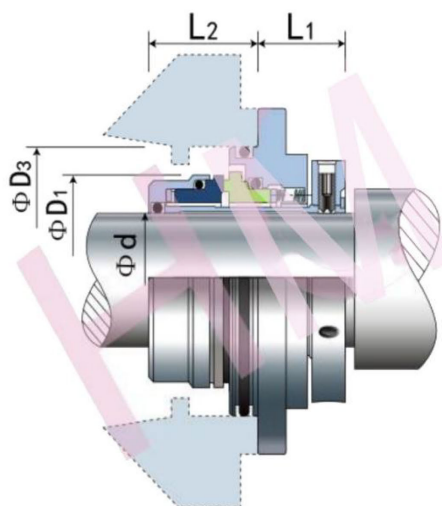


HMGR-Z6



Type: Suit for Grundfos,FRISTAM
FP,FPE,FPX,FR,FT,FZ Pumps
Replacement: AES MOGCE
Temperature: -20 to +180°C
Pressure : ≤ 2.5 Mpa
Speed: ≤ 10 m/s
Material: B,Q2,U2,P,E,N,V,F,G,Alfa



d (mm)	D1	D3	L1	L2
30	46.8	60	24.9	30.9
d (inch)	D1	D3	L1	L2
1.181	1.843	2.362	0.978	1.216