

## HMGR-G13(M010SA)



Type: Multi Spring Seal, Suit for Grundfos Sarlin Pumps

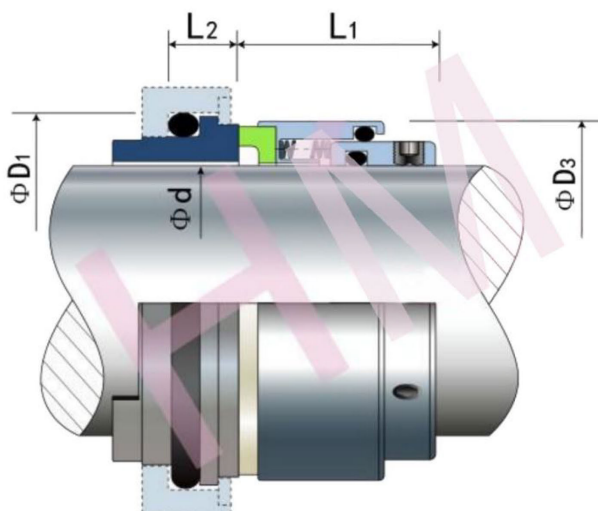
Replacement: AES M010SA, ROPLAN 210, Lower Seal for Grundfos S range submersible pump seals

Temperature: -30°C to +200°C

Pressure:  $\leq 2.5\text{Mpa}$

Speed:  $\leq 15\text{m/s}$

Material : B,Q2,U2,P,E,V,F,G



d (mm)	D1	D3	L1	L2
25	38.0	39	29.9	9.6
32	48.0	46	32.4	11.0
38	55.0	54	33.9	11.2
50	69.3	66	34.4	14.0
65	85.4	85	38.9	15.3

d(inch)	D1	D3	L1	L2
0.984	1.498	1.535	1.177	0.378
1.260	1.890	1.811	1.276	0.433
1.496	2.165	2.126	1.335	0.441
1.969	2.728	2.598	1.354	0.551
2.559	3.362	3.346	0.531	0.602