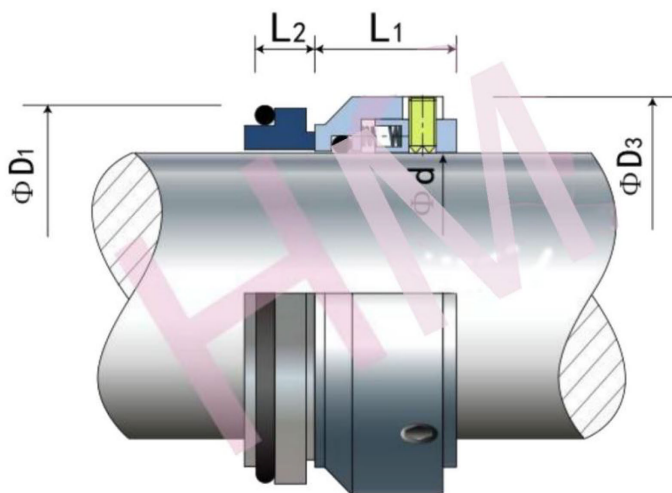


HMGR-G07



Type: Grundfos Pump Seals
Replacement: LIDERING GR-SA-65
Temperature: -30°C to $+200^{\circ}\text{C}$
Pressure : $\leq 2.5\text{Mpa}$
Speed: $\leq 15\text{m/s}$
Material: B,Q2,U2,P,E,N,V,F,G,Alfa



*Siut for Grundfos Pumps

*Shaft size:30mm,38mm,50mm,65mm.