

## HMGR-G12(SSAIS06)



Type : Multi Spring Seal,Suit for Grundfos Sarlin  
Pump

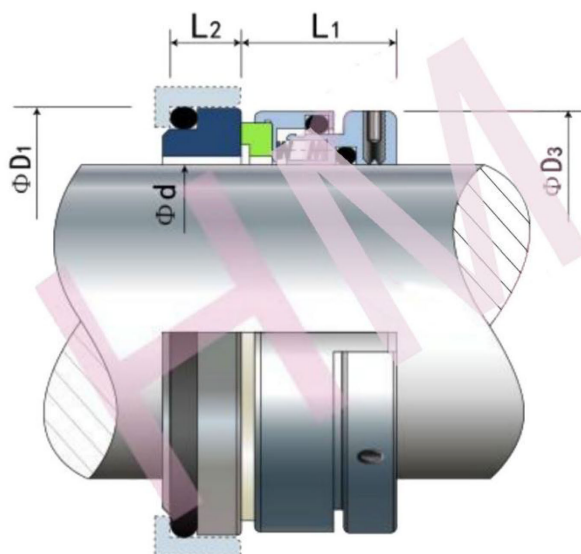
Replacement: AES SSAIS06 , Upper Seal for Grundfos S  
range submersible pump seals

Temperature: -30°C to +200°C

Pressure :  $\leq 2.5$ Mpa

Speed:  $\leq 15$ m/s

Material: B,Q2,U2,P,E,V,F,G



d (mm)	D1	D3	L1	L2
30	45	46	24	10
38	56	58	27	11
50	70	70	27	13
65	85	90	32	13

d(inch)	D1	D3	L1	L2
1.181	1.772	1.811	0.945	0.394
1.496	2.205	2.283	1.063	0.433
1.969	2.756	2.756	1.063	0.512
2.559	3.348	3.543	1.260	0.512