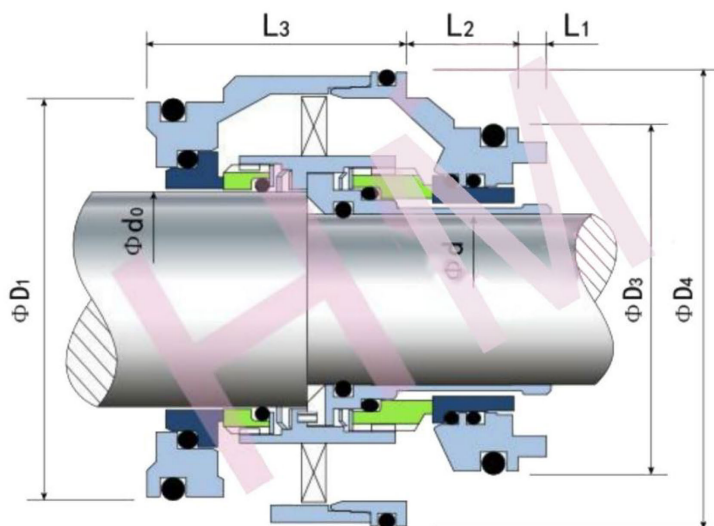


## HMGR-G14(43)



Type: Double "Plug in" Cartridge seals. Suit for  
GR-SL1 Pumps  
Replacement: Suit for Grundfos SL1 Frame A pumps  
Temperature: -20 to +160°C  
Pressure:  $\leq 1.4\text{Mpa}$   
Speed:  $\leq 10\text{m/s}$   
Material: A,B,Q1,Q2,P,E,V,F,G



Suit for Grundfos Sewage Pumps.

d=55mm+43mm