

# HMGR-G38



Type: Lower seal to suit for Grundfos CRT、NK、

CLM-G、CLP-G Series Pumps

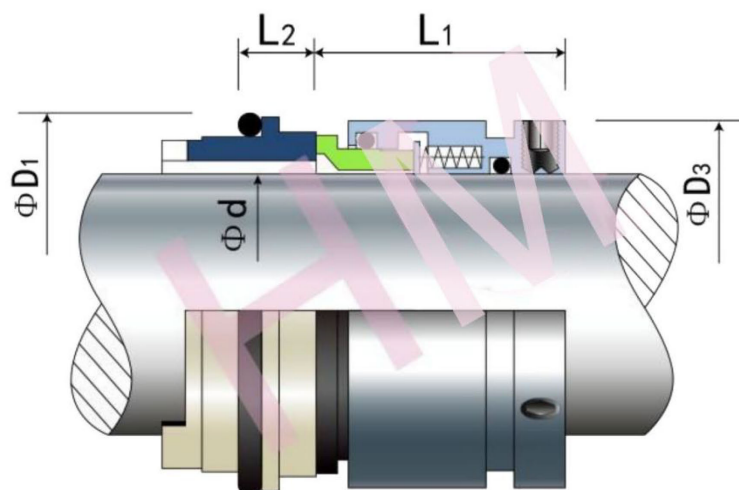
Replacement: Original Grundfos Seal

Temperature: -30°C to +200°C

Pressure:  $\leq 2.5\text{Mpa}$

Speed:  $\leq 15\text{m/s}$

Material: B,Q2,U2,P,E,V,F,G



d (mm)	D1	D3	L1	L2
32	48.0	46	32.4	11.0
38	55.0	54	33.9	11.2
50	69.3	66	34.4	14.0
65	85.4	85	38.9	15.3