

# HMGR-G35(HJ92N)

Type : Wave Spring Mechanical Seal, Suit for  
Grundfos CRT, NK Pumps, CLM-G, CLP-G  
Pumps

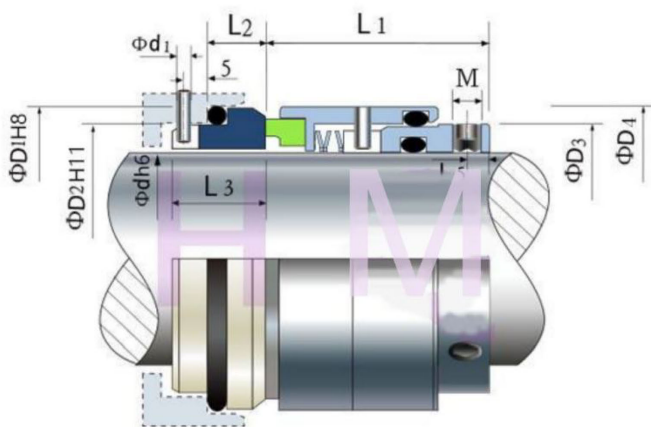
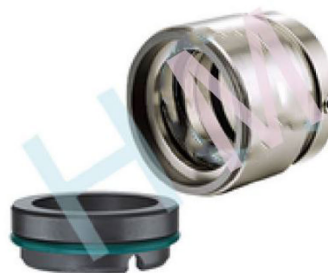
Replacement: Burgmann HJ92N, Grundfos Type D

Temperature: -30°C to +200°C

Pressure:  $\leq 2.5$  Mpa

Speed:  $\leq 15$  m/s

Material : B, A1, Q1, Q2, U2, P, E, N, V, F, G, Alfa



d (mm)	D1	D2	D3	D4	d1	L1	L2	L3	L5	M
18	33	27	26.0	32	3	30.5	7.0	15.0	3.0	M4
20	35	29	28.0	34	3	30.5	7.0	15.0	3.0	M4
22	37	31	30.0	36	3	30.5	7.0	15.0	3.0	M4
24	39	33	32.5	38	3	33.0	7.0	15.0	3.5	M5
25	40	34	33.5	39	3	33.0	7.0	15.0	3.5	M5
28	43	37	36.5	42	3	35.5	7.0	15.0	3.5	M5
30	45	39	38.5	44	3	35.5	7.0	15.0	3.5	M5
32	48	42	41.5	47	3	35.5	7.0	15.0	3.5	M5
33	48	42	41.5	47	3	35.5	7.0	15.0	3.5	M5
35	50	44	43.5	49	3	35.5	7.0	15.0	3.5	M5
38	56	49	47.5	54	4	37.0	8.0	16.0	4.0	M5
40	58	51	49.5	56	4	37.0	8.0	16.0	4.0	M5
43	61	54	52.5	59	4	37.0	8.0	16.0	4.0	M5
45	63	56	54.5	61	4	37.0	8.0	16.0	4.0	M5
48	66	59	57.5	64	4	37.0	8.0	16.0	4.0	M5
50	70	62	59.5	66	4	38.0	9.5	17.0	4.5	M6