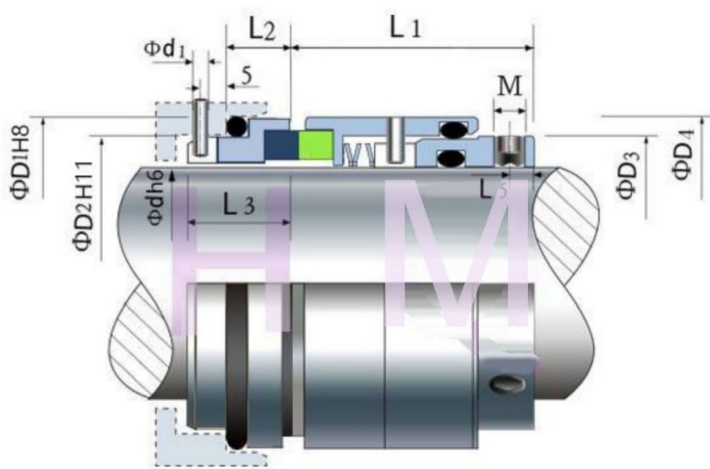


HMGR-G36(HJ977GN)

Type: Wave Spring Mechanical Seal, Suit for
 Grundfos CRT, NK Pumps, CLM-G, CLP-G
 Pumps
 Replacement: Burgmann HJ977 GN, Grundfos Type D
 Temperature: -20°C to +200°C
 Pressure : ≤ 2.5 Mpa
 Speed: ≤ 15 m/s
 Material : A, B, Q1, Q2, V, E, P, F, G, M, T6



d (mm)	D1	D2	D3	D4	d1	L1	L2	L3	L5	M
18	33	27	26.0	32	3	28.5	9.0	17.0	3.0	M4
20	35	29	28.0	34	3	28.5	9.0	17.0	3.0	M4
22	37	31	30.0	36	3	28.5	9.0	17.0	3.0	M4
24	39	33	32.5	38	3	31.0	9.0	17.0	3.5	M5
25	40	34	33.5	39	3	31.0	9.0	17.0	3.5	M5
28	43	37	36.5	42	3	33.0	9.5	17.5	3.5	M5
30	45	39	38.5	44	3	33.0	9.5	17.5	3.5	M5
32	48	42	41.5	47	3	33.0	9.5	17.5	3.5	M5
33	48	42	41.5	47	3	33.0	9.5	17.5	3.5	M5
35	50	44	43.5	49	3	33.0	9.5	17.5	3.5	M5
38	56	49	47.5	54	4	34.5	10.5	18.5	4.0	M5
40	58	51	49.5	56	4	34.5	10.5	18.5	4.0	M5
43	61	54	52.5	59	4	34.5	10.5	18.5	4.0	M5
45	63	56	54.5	61	4	34.5	10.5	18.5	4.0	M5
48	66	59	57.5	64	4	34.5	10.5	18.5	4.0	M5
50	70	62	59.5	66	4	35.5	12.0	19.5	4.5	M6