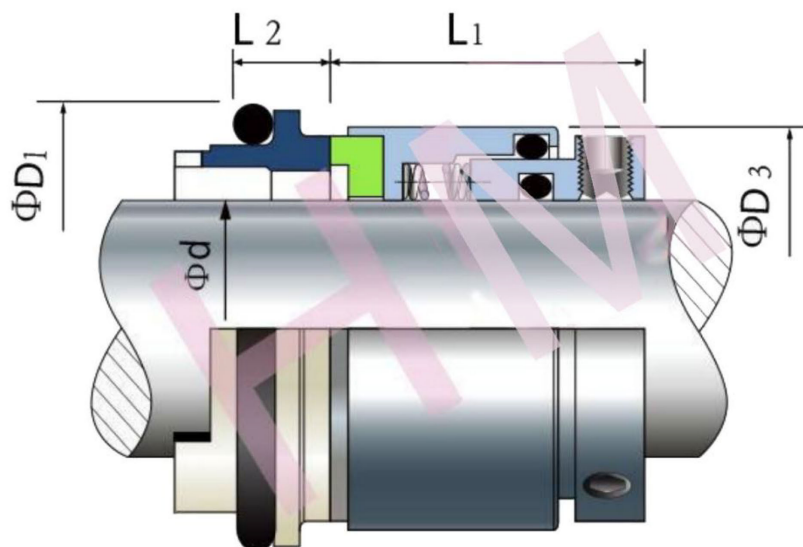


HMGR-G16(42)



Type: Lower seal to suit for Grundfos S- Series
Pumps
Replacement: Vulcan 42
Temperature : -30°C to +180°C
Pressure : $\leq 2.5\text{Mpa}$
Speed : $\leq 15\text{m/s}$
Material : A,B,Q1,Q2,U1,U2,T,Graphite,V,G,F,M,T6



d (mm)	D1	D3	L1	L3
32	48	46.0	34.0	11.0
38	55	53.0	34.0	11.5
50	70	65.6	34.5	14.0
65	85	84.2	66.0	15.0