

HMGR-G20(1615)



Type : Suit for GRUNDFOS CR,CRN and CRI series pumps

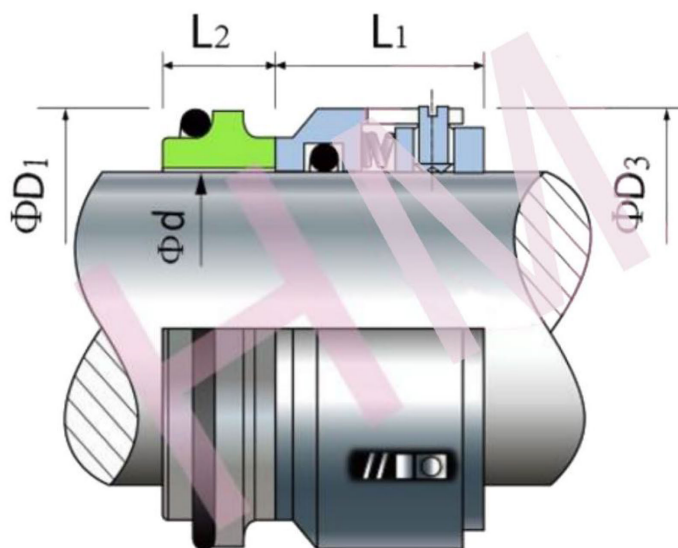
Replacement: Vulcan 1615, Billi BB30L

Temperature : -30°C to +200°C

Pressure : ≤ 2.5 Mpa

Speed: ≤ 15 m/s

Material : Stainless steel rotary face and antimony carbon seats and viton O-ring.



d (mm)	D1	D3	L1	L2
30	45	45.5	28.0	10.5
38	56	55.0	31.0	14.0
50	70	70.5	32.5	15.0