

## HMGR-G15(40S8)



Type: Upper seal to suit for Grundfos S- series

Pumps

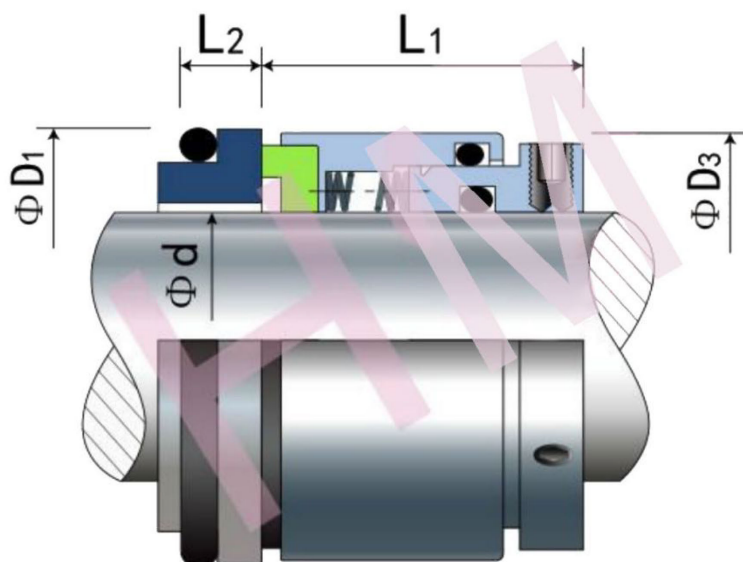
Replacement: Vulcan 40S8

Temperature:  $-30^{\circ}\text{C}$  to  $+175^{\circ}\text{C}$

Pressure:  $\leq 2.5\text{Mpa}$

Speed:  $\leq 15\text{m/s}$

Material: A,B,Q1,Q2,V,E,P,F,G,M,T6



d (mm)	D1	D3	L1	L3	Type code
38	56	53.0	34.0	11.0	40S
50	70	65.6	34.5	9.5	40S8
65	85	84.2	36.5	11.0	40S8