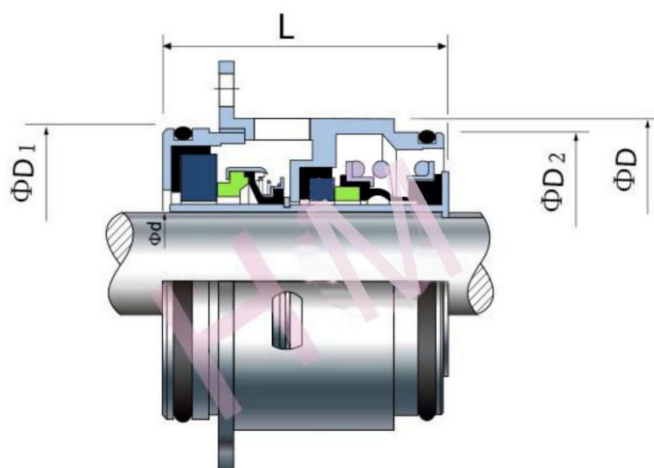


HMGR-G17



Type: Suit Grundfos pump SE series pumps
 Replacement: Lidering GR- SE
 Temperature: -20°C to +180°C

Pressure: ≤ 1.2 Mpa
 Speed: ≤ 10 m/s
 Material : B, Q2, U2, P, E, V, F, G



d (mm)	D1	D2	D	L
22	58	56	62	63.5
32	71	68	73	70.0