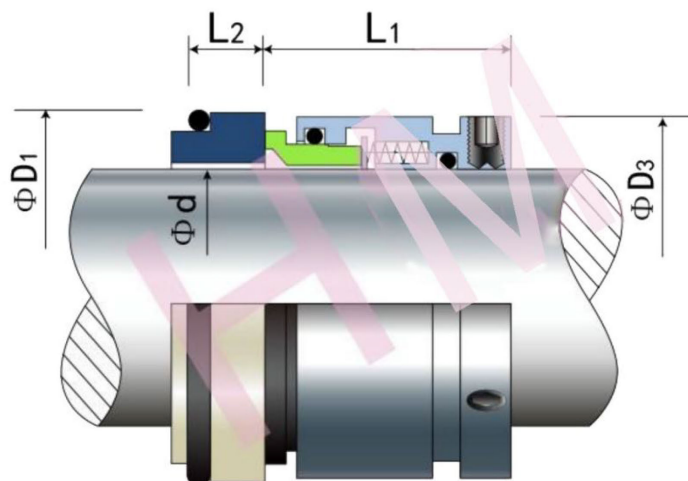


HMGR-G37



Type : Upper seal to suit for Grundfos CRT、NK,
CLM-G、CLP-G Series Pumps
Replacement: Original Grundfos Seal
Temperature: -30°C to +200°C
Pressure: $\leq 2.5\text{Mpa}$
Speed: $\leq 15\text{m/s}$
Material : B,Q2,U2,P,E,V,F,G



d (mm)	D1	D3	L1	L2
38	56	58	27	11
50	70	70	27	13
65	85	90	32	13