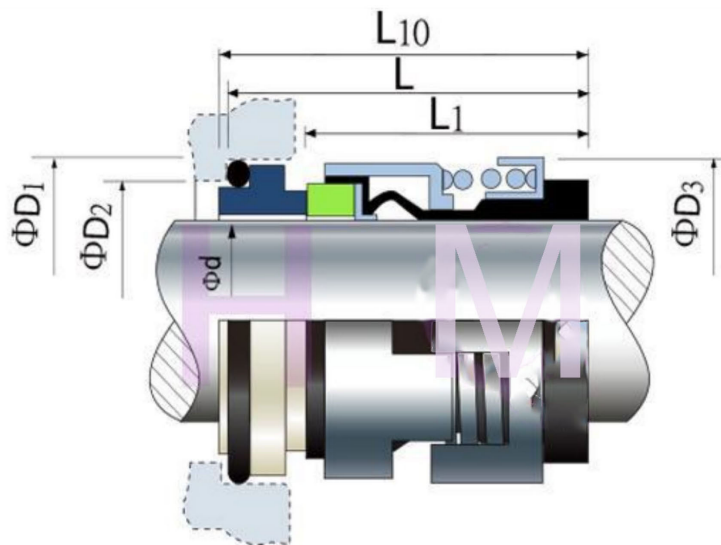


# HMGR-G3



Type: Suit for CH , CHI , CHE , CRK , SPK ,  
TP,AP,CR,CRN,NK , TP, LM(D)/LP(D)  
NM/ NP , DNM/DNP Series Pumps  
Replacement: Grundfos Type B,Lidering GR-B  
Temperature: -20°C to +180°C  
Pressure :  $\leq 1.2\text{Mpa}$   
Speed:  $\leq 10\text{m/s}$   
Material : A,B,Q1,Q2,U1,U2,P,E,V,F,G



d (mm)	D1	D2	D3	L	L1	L10
HMGR-G3- 12	23	19	22	39	31	40.5
HMGR-G3-S- 12	23	19	22	34	26	35.5
HMGR-G3- 16	27	23	26	40.5	32.5	41.5
HMGR-G3-S- 16	27	23	26	35.5	27.5	36.5