

# HMGR-G1



Type: Suit for JP , CH8 , CH12 , CRK (I)2 ,  
CRK(I)4,SPK1 , SPK2,SPK4,SPK8,CR2 ,  
CR4 Series Pumps

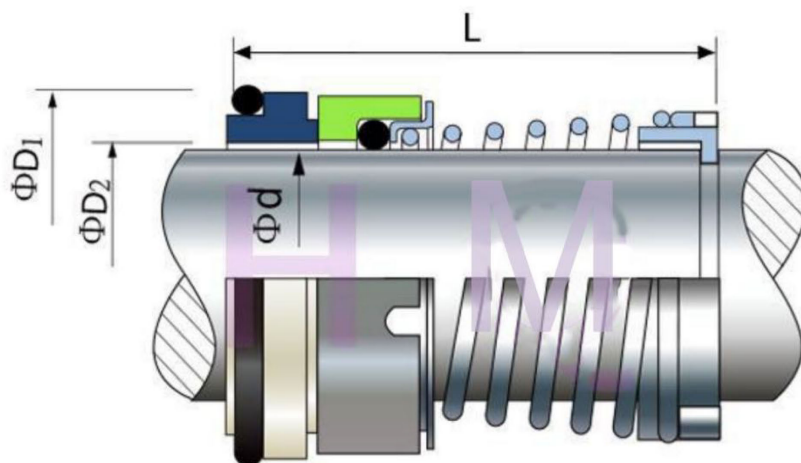
Replacement: Equivalent with Grundfos type C seals

Temperature: -20°C to +180°C

Pressure :  $\leq 1.2\text{Mpa}$

Speed:  $\leq 10\text{m/s}$

Material : A,B,Q1,Q2,U1,U2,P,E,V,F,G



d (mm)	D1	D2	L
12	22.7		44.5