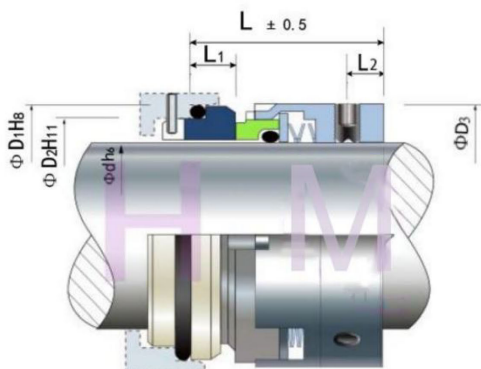


HQM7N/M74/M74F

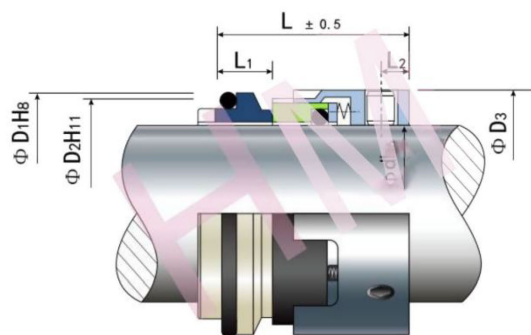
Type: Wave Spring Mechanical Seal
 Replacement: Burgmann M7N/M74/M74F
 Temperature: -20°C to +120°C
 Pressure: $\leq 1.2\text{Mpa}$
 Speed: $\leq 15\text{m/s}$
 Material: B,A1,Q1,Q2,U2,P,E,N,V,F,G,Alfa



HMM7 N



HMM7 4



d (mm)	D1	D2	D3	L	L1	L2
14	25	21	25	35.0	10.0	6
16	27	23	27	35.0	10.0	6
18	33	27	33	37.5	11.5	7
20	35	29	35	37.5	11.5	7
22	37	31	37	37.5	11.5	7
24	39	33	39	40.0	11.5	8
25	40	34	40	40.0	11.5	8
28	43	37	43	42.5	11.5	8
30	45	39	45	42.5	11.5	8
32	48	42	47	42.5	11.5	8
33	48	42	48	42.5	11.5	8
35	50	44	50	42.5	11.5	8
38	56	49	55	45.0	14.0	8
40	58	51	57	45.0	14.0	8
43	61	54	60	45.0	14.0	8
45	63	56	62	45.0	14.0	8
48	66	59	65	45.0	14.0	8